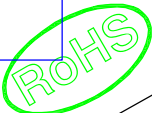
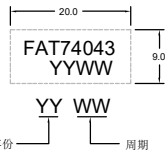
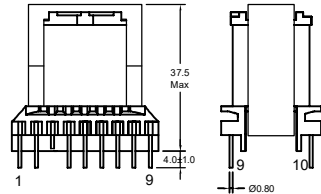
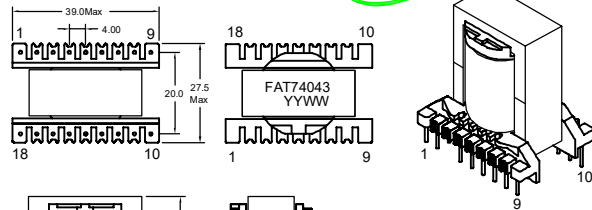


P/N: FAT74043



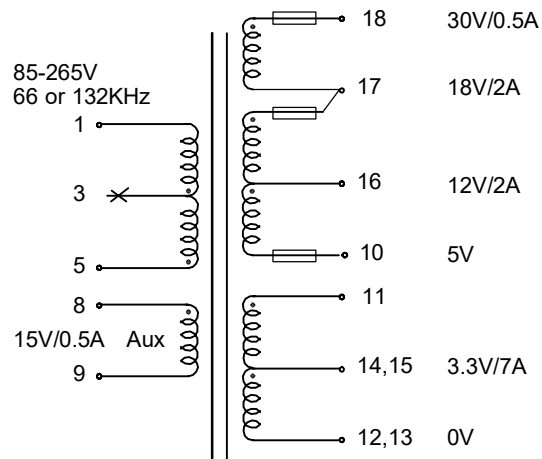
Outline Dimensions(Unit:mm)



1. Use transparent black text, pad printing or coding. (采用透明底黑字, 移印或喷码)
2. The font is Arial, and the font height is 2.4mm. (字体为Arial, 字体高度2.4mm)
3. The writing is clear and not blurred. (字迹清晰不模糊, 不易掉)
4. The border is not printed. It only represents the size range. (边框不印出来它只代表尺寸范围)

REMARK:
1. Pin3 cut 2/3.
2. Fixed core with 3Ts tape.

Electrical Schematic



□ Teflon tube

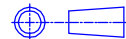
Electrical Characteristics:

Inductance : L5-1= 500uH ±10% @10KHz 0.1V.
Lkg5-1= 10.0uH Max @100KHz 0.1V. (shorted other pins)
D.C.Resistance : 5-1= 180 mohms Max.
8-9= 100 mohms Max.
10-18= 85.0 mohms Max.
11-12,13=5.50 mohms Max.
Turns Ratio :5-1:8-9:18-17:17-16:16-10:11-14,15-12,13
=45:7:6:3:4:1:2 ±2%.
Hi-Pot : Pri-Sec: 4000VAC/5mA/2Seconds.
Weight : ≈50g.

List of UL Certificate:

No.	Part Name	Mat'l Description	Supplier	UL Number
1	Bobbin	ER-2806-1/T375HF	Chang Chun Plastics Co.,Ltd	E59481
2	Wire	2UEW-F /155°C	Jiangsu Dartong M & E Co.,Ltd	E237377
3	Triple insulated wire	TIW-B	Shanghai SuRan Electronic Technology Co., Ltd	E335392
		TRW-B	Leoflon Electronic Industrial Co.,Ltd	E211989
4	Core	ER28/34-P3	FuAn	N/A
5	Insulation Tape	JY25-A1/130C	Jingjiang Jingyi Adhesive Product Co.,Ltd	E246950
6	Tube	CB-TT-L	Changyuan Electronics (Shenzhen) Co Ltd	E180908
7	Varnish	T4260LZ T4260(a)	WuJiang Taihu Insulating Material Co.,Ltd	E228349

Tianchang Fuan Electronic Co., Ltd
www.fuantronics.net
TEL: +86-550-7814888
FAX: +86-550-7831133



Tolerances unless otherwise specified:
(X)±0.50 (XX)±0.25
Unit of measurement: mm

Drawn: *Jin*
Checked: *Benson*
Approved: *Anson*

DRAWING TITLE
ER28/34 Transformer

Material Number:

Customer P/N:
Document/Rev: 1009036/01
Specification Sheet: 1 of 1
Date of Recognition: Oct./31/2019

REV	DESCRIPTION	APPD	DATE
01	更改绕线工艺。	Anson	2019.10.31